

GP6500E

GP SERIES
Commercial/Residential
Portable Generators

1 of 2

Features

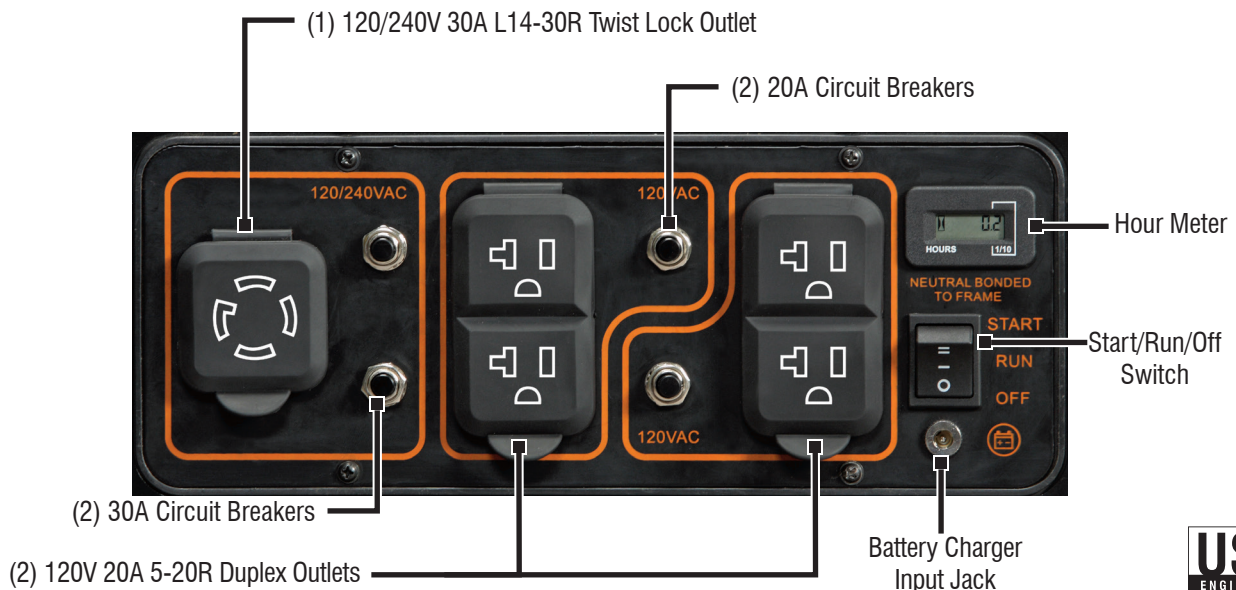
Models 5941-3 UPC: 696471059410
(49ST)

- **The Generac OHV engine** with splash lubrication provides a long engine life.
- **Single touch electric start**, battery included, provides hassle-free start-up.
- **Hour Meter** tracks maintenance intervals.
- **Large-capacity steel fuel tank** with incorporated fuel gauge provides durability and extended run times.
- **Low-oil level shutdown** automatically safeguards engine from damage.
- **Covered outlets** provides added protection from the environment and rugged working conditions.
- **Hardened 1 1/4" steel tube cradle** for added durability and strength.
- **Fold-down, locking handle** for sturdy portability and compact storage.
- **Heavy-duty, never flat wheels** for reliable portability.
- **Plug-in battery charger jack** keeps battery charged and ready to go.



AC Rated Output Running Watts 6500
AC Maximum Output Starting Watts 8125

49-State Control Panel



GP6500E

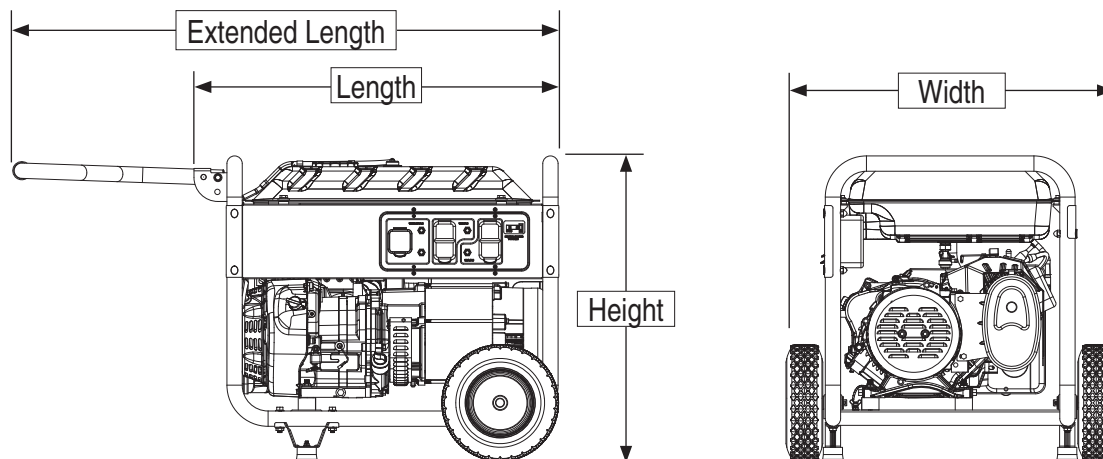
specifications

Product Series	GP6500E
Model (Configuration)	5941-3 (EPA)
AC Rated Output Running Watts:	6500
AC Maximum Output Motor Starting Watts:	8125
AC Voltage	120/240 VAC
AC Frequency	60 Hz
Rated VAC Amperage	54.2/27.1
Max Rated VAC Amperage	67.8/33.9
Engine Displacement	389cc
Engine Type	OHV
Engine RPM	3600
Recommended Oil	10W-30 / SAE30
Lubrication Method	Splash
Choke Location	On Engine
Fuel Shut Off	On Fuel Tank
Starting Method	Electric/Recoil Pull Start
Low Oil Shutdown Method	Low Level
Battery Type	12VDC, 10AH
Battery Charger Input Jack	Included
Neutral Bonded to Ground	Yes

Start Switch Type	Start/Run/Off Switch
Switch Location	On Control Panel
Fuel Gauge	Built-In Tank
Fuel Tank Capacity Gal (Ltr)	7.2 (27.3)
Run Time at 50% (Hours)	10
Handle Style	Single Folding / Locking
Wheel Type	9.5" Solid Wheels
Maintenance Kit	Sold Separately
Warranty - Residential	2 Year Ltd
Warranty - Commercial	1 Year Ltd

Dimensions and Weights

Length in (mm)	27.25 (692)
Width in (mm)	27 (687)
Height in (mm)	25 (638)
Extended Length in (mm)	44.5 (1129)
Carton Length in (mm)	31 (790)
Carton Width in (mm)	21.5 (550)
Carton Height in (mm)	23.25 (590)
Unit Weight lbs (kg)	186 (84.4)
Shipping Weight lbs (kg)	209 (94.9)



GENERAC[®]

Generac Power Systems, Inc. • P.O. Box 8, Waukesha, WI 53187 • generac.com

©2012 Generac Power Systems, Inc. All rights reserved. All specifications are subject to change without notice. Bulletin 0197810SBY-A / Printed in U.S.A. 12/13/12